



Prover Spheres Accessories

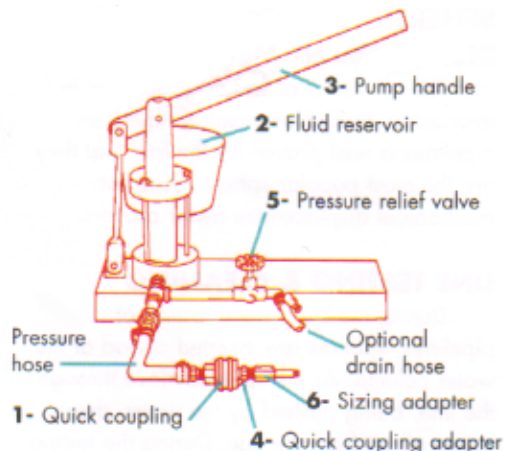
Lifting - transport and storage net

- Dimension from 10" to 60"
- Equipped with lifting ears
- Produced in nylon fiber material
- Ideal as safety net within lifting of large size proverspheres
- For longer period storage of spheres to keep the original shape



Inflation pump

- For inflation of pipeline and meter prover spheres
- Recommended inflation rate:
Max 2-3% of OD of Sphere uninflated
- Fill reservoir on pump with liquid
- All air must be evacuated from sphere during filing and inflating.



Note: Inflation pump is also available air driven



For more information:
ITAS, Postbox 739, 4090 Hafersfjord
Phone: 51552104, Telefax: 51550600
Mail: itas@itas-no.com
Web: www.itas-no.com